

Multi-axis controller V8 / VV8



The multi-axis controller V8/VV8 is available in either single-axis or multi-axis options and is a robust controller used commonly in electro-hydraulic applications. With many output options including voltage, amperage and switch contacts and many handle options the V8 / VV8 series is hugely customisable. The V8 / VV8 is resistant to oil, maritime conditions e.g. offshore / vessels, UV radiation typically from the sun.



1

Technical data

Mechanical life V8	10 million operating cycles
Mechanical life VV8	20 million operating cycles
Operation temperature	-40°C til +60°C
Degree of protection	IP54

	VV8	S5	P	T	- 2RP	+ 3ZP	- B	- A05 P184	+ A050 P184	E9012	- X
Basic unit											
VV8	2-axis, reinforced version										
Control-handle extended											
	Standard										
S5	-20mm										
S8	+20mm										
<i>*Only available in combination with handle!</i>											
Gate											
P	Cross gate										
P X	Special gate										
Grip / palm grip											
T	Dead man										
Axis 1											
2	Contacts										
R	Friction brake										
P	Potentiometer										
Axis 2											
3	Contacts										
Z	Spring return										
P	Potentiometer										
Cover housing											
B	Cover housing										
Description axis 1 (direction 1-2)											
A050	Arrangement MSP21-0										
P184	Potentiometer T301 2x5kOhm										
Description axis 2 (direction 3-4)											
A05	Arrangement MSP21										
P184	Potentiometer T301 2x5kOhm										
Interface (description see on the following pages)											
E9012	Potentiometer output for proportional valve PVG32										
Special model											
X	Special / customer-specific										

Technical details may vary based on configuration or application! Technical data subject to change without notice!

Multi-axis controller

V8 / VV8

Combination possibilities with our handles



	VV8	S5	P	T	- 2 R P +	3 Z P - B -	A05 P184 +	A050 P184	E9012	- X
Basic unit										
V81	1-axis									
V8	2-axis									
	reinforced version									
VV81	1-axis									
VV8	2-axis									
Control-handle extended										
S5	-20mm									
S8	+20mm									
Gate										
P	Cross gate									
P X	Special gate									
Grip/ palm grip										
	Knob (included in basic unit!)									
M	Mechanical zero interlock									
MH	Mechanical zero interlock + signal contact									
T	Dead man									
H	Signal button									
D	Push button									
DV	Flush push button									
B...	Palm grip B... (see page palm grip 129)									
Axis 1: direction 1-2										
1	1 contact	Standard contact - arrangement see page 112								
2	2 contacts	z.B.								
3	3 contacts	A98		MS0		Zero position contact				
		A05		MS21		Direction contact				
		A050		MS21-0		Direction contact + zero position contact				
Z	Spring return									
R	Friction brake only possible with VV8!									
(P)	Mounting options for potentiometer									
P	Potentiometer					P181	T301 2x0,5kOhm	I max. 1mA		
						P182	T301 2x1kOhm	I max. 1mA		
						P183	T301 2x2kOhm	I max. 1mA		
						P184	T301 2x5kOhm	I max. 1mA		
						P185	T301 2x10kOhm	I max. 1mA		
						More potentiometer on request!				
	Hall-Potentiometer					P43	T1360	0,5...2,5...4,5V/4,5V...2,5...0,5		

Technical details may vary based on configuration or application! Technical data subject to change without notice!

If both axis identical, it`s enough to describe one axis!

example: ...A05P43 + A05P43 => A05P43

VV8 S5 P T - 2 RP + 3 Z P - B - A05 P184 + A050 P184 E9012 - X

1

Axis 2: direction 3-4 (not applied for V81/VV81)

01	1 contact	Standard contact - arrangement see page 112		
02	2 contacts	z.B.		
03	3 contacts	A98	MS0	Zero position contact
		A05	MS21	Direction contact
		A050	MS21-0	Direction contact + zero position contact
Z	Spring return			
R	Friction brake only possible with VV8!			
(P)	Mounting options for potentiometer			
P	Potentiometer	P181	T301 2x0,5kOhm	I max. 1mA
		P182	T301 2x1kOhm	I max. 1mA
		P183	T301 2x2kOhm	I max. 1mA
		P184	T301 2x5kOhm	I max. 1mA
		P185	T301 2x10kOhm	I max. 1mA
		<i>More potentiometer on request!</i>		
Hall-Potentiometer		P43	T1360	0,5...2,5...4,5V/4,5V...2,5...0,5

VV8 S5 P T - 2 RP + 3 Z P - B - A05 P184 + A050 P184 E9012 - X

Cover housing

B Cover housing

Interface

	Potentiometer output	
E901	Potentiometer output for proportional valve PVG32	
	0,25...0,5...0,75Us	
1		1 axis
2		2 axis
3		3 axis
4		4 axis

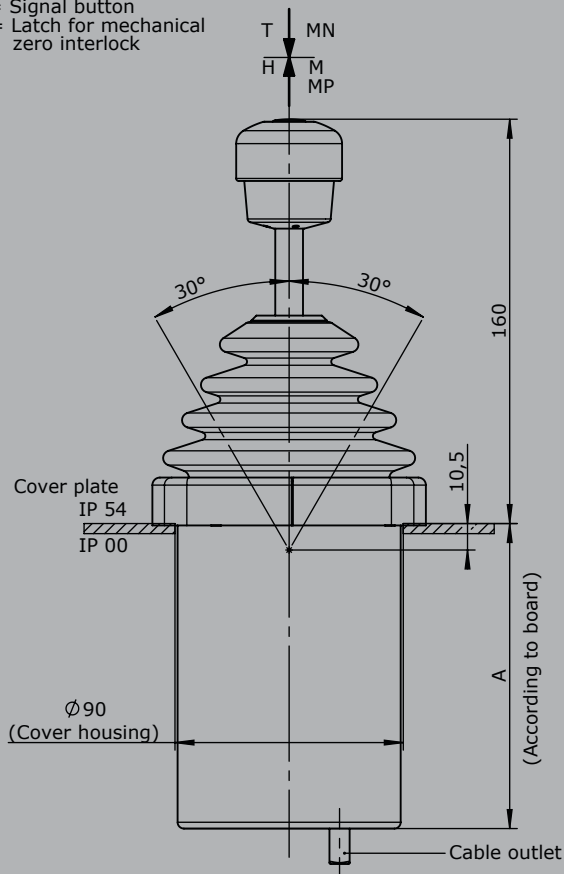
Special model

X Special / customer-specific

Multi-axis controller

V8 / VV8

T = Dead man's button
H = Signal button
M = Latch for mechanical zero interlock



Knob solid
D = Push button

