

Multi-axis controller V20

The multi-axis controller V20 is a rugged switching device for remote control. The multi-axis controller is resistant to oil, maritime conditions e.g. offshore / vessels, UV radiation typically from the sun.

Technical data

Mechanical life V20	3 million operating cycles
Operation temperature	-40°C til +60°C
Degree of protection	IP65

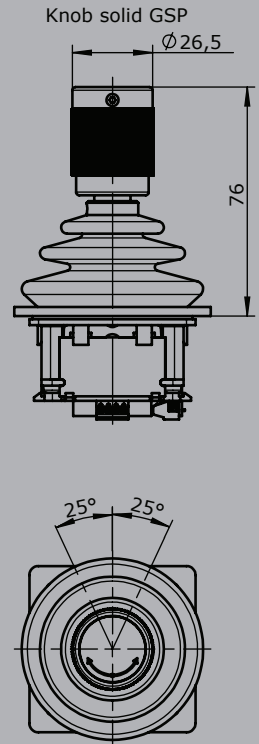
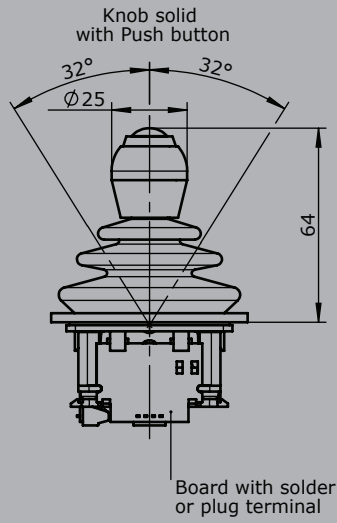
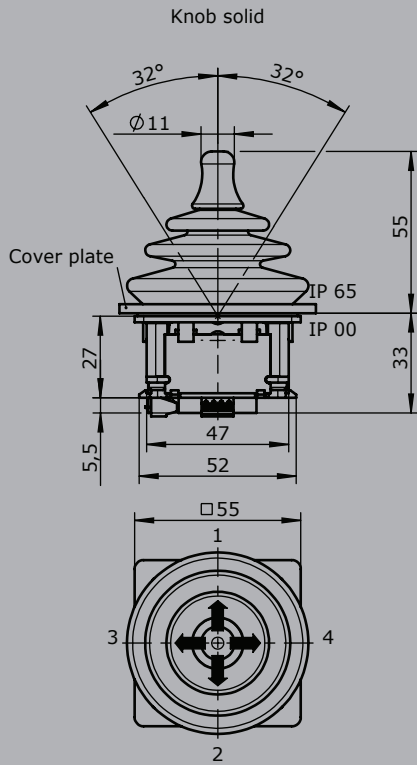


1

		V20	- P	D	- C71	+ C71	- B	- X
Basic unit								
V20.1	1-axis with spring return							
V20	2-axis with spring return							
V20.1A	1-axis with spring return, IP67 front							
V20A	2-axis with spring return, IP67 front							
Gate								
p	Cross gate							
P X	Special gate							
Grip								
	Knob (standard)							
D	Push button							
GSP	Rotation grip 2x5kOhm + direction tracks I _{max} = 1mA							
Axis 1: direction 1-2								
C70	Mechanical encoder							
	MEC 2-1							
	EA/15-10				I max. 1mA			
	Potentiometer track				2x5kOhm			
	Direction track				Arrangement MS224-0			
C71	Mechanical encoder							
	MEC 2-2							
	EA/11-10				I max. 1mA			
	Potentiometer track				2x5kOhm			
	Direction track				Arrangement MS24-0			
C72	Mechanical encoder							
	MEC 2-5							
	EA/21-10				I max. 1 mA			
	Potentiometer track				2x5kOhm			
	Direction track				Arrangement MS25-0			
Axis 2: direction 3-4								
<i>See description axis 1!</i>								
Cover housing								
B	Cover housing KBQ 905 (IP65)							
Special model								
X	Special / customer-specific							

Technical details may vary based on configuration or application! Technical data subject to change without notice!

V20 Standard degree of protection front IP 65



V20 Degree of protection front IP 67

