

Control switch N6



The control-switch N6 is a rugged switching device for hoisting applications. The modular design enables the switching device to be used universally. The single-axis controller is resistant to oil, maritime conditions e.g. offshore /vessels, UV radiation typically from the sun.

Technical data

Mechanical life N6	10 million operating cycles
Operating temperature	-40°C til +60°C
Degree of protection	IP54



	N6	- DG	Example - 01 Z P	- A05 P134	- X
Basic unit					
N6	incl. ISO-front plate 88x88mm				
Grip					
DG	Twist grip				
Axis 1 (direction 2-4)					
01	2 contacts (2A 250V AC15)				
Z	Spring return				
P	Potentiometer				
Description axis 1 (direction 3-4)					
A05	Arrangement MSP21				
P134	Potentiometer T396 2x5kOhm				
Special model					
X	Special / customer-specific				

Control switch N6

1

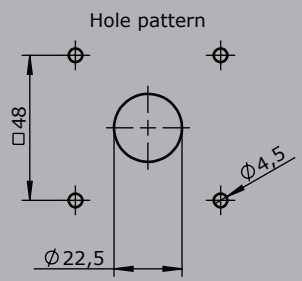
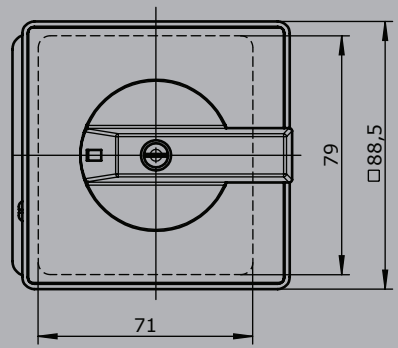
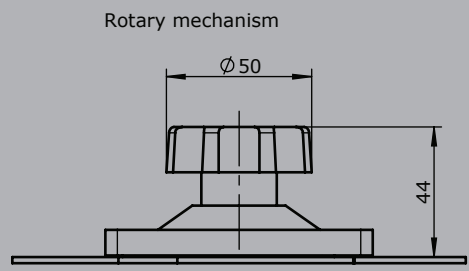
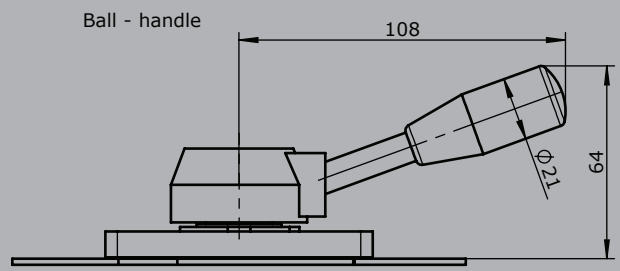
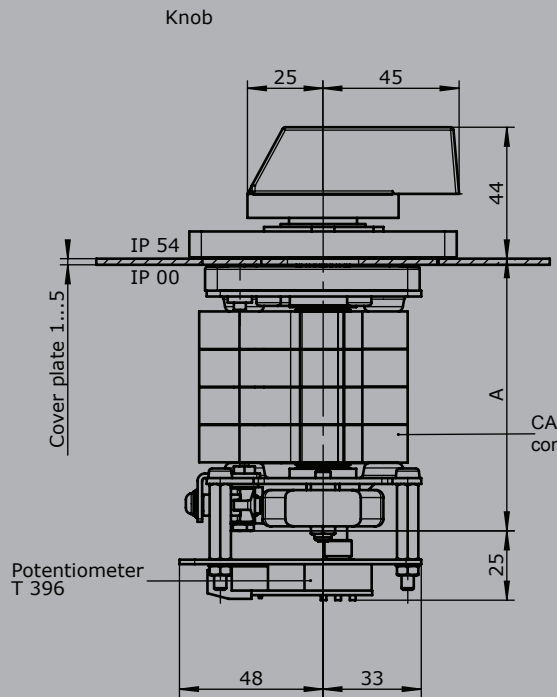
	N6	- DG	- 01 Z P	- A05	P134	- X
Basic unit						
N6	incl. ISO-front plate 88x88mm					
N6A	incl. ISO-front plate 88x88mm, IP65 (front)					
Grip						
KN	Knob					
HG	Ball grip					
DG	Twist grip					
Axis 1: direction 3-4						
(Standard contacts gold-plated 2A 250V AC15)						
01	2 contacts	Standard contact - arrangement see page 112				
02	4 contacts	z.B.				
03	6 contacts	A980	MS00			
04	8 contacts	A05	MS21			
05	10 contacts	A0500	MS21-00			
06	12 contacts	A110	MS24-0			
	A = silver contacts (4A 250V AC15)	A99 contacts - arrangement according customer request				
Z	Spring return					
R	Friction brake					
(P)	Possibility of mounting potentiometer and encoder (Gessmann-types)					
P	Potentiometer	P131	T396 2x0,5kOhm	I max. 1mA		
		P132	T396 2x1kOhm	I max. 1mA		
		P133	T396 2x2kOhm	I max. 1mA		
		P134	T396 2x5kOhm	I max. 1mA		
		P135	T396 2x10kOhm	I max. 1mA		
		<i>More potentiometer on request!</i>				
C	C... Encoder see page 119					

	N6	- DG	- 01 Z P	- A05	P134	- X
Special model						
X	Special / customer-specific					

Attachments						
Indicating label						
Indicating label with engraving						

Control switch N6

1



CAGE CLAMP®
connection max. 2,5mm²

Type	No. of contacts	Dim. A	Spring return
01	2	53	+25
02	4	65	
03	6	78	
04	8	90	
05	10	103	
06	12	115	

Technical details may vary based on configuration or application! Technical data subject to change without notice!