



MC7180N-4

Wide Angle Camera

Wide Angle Camera

MC7180N-4

The MC7180N-4 wide angle camera is the perfect choice for heavy duty 270°/360° surround vision systems. The 180° view angle and compact design allow an easy adaptation of the device to various vehicle types and visibility issues. The pressure washer proof MC7180N-4 can also be used as a standalone device for heavy duty applications. It easily withstands shock impacts up to 50 g and oscillations up to 5 g. The energy-efficient automotive CMOS sensor delivers an excellent image quality in operating temperatures between -40°C and +85°C.



Key Facts

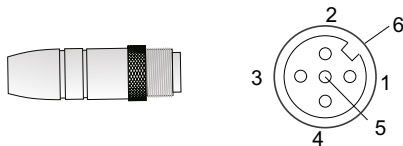
- Pressure washer-proof (IP69K)
- Operating and storage temperature -40°C...+85°C
- CMOS 1/4" image sensor with sensor resolution horizontal 648 (RGB) x vertical 488 pixels
- 180° horizontal view angle

Standards/Certificates/Quality Seals



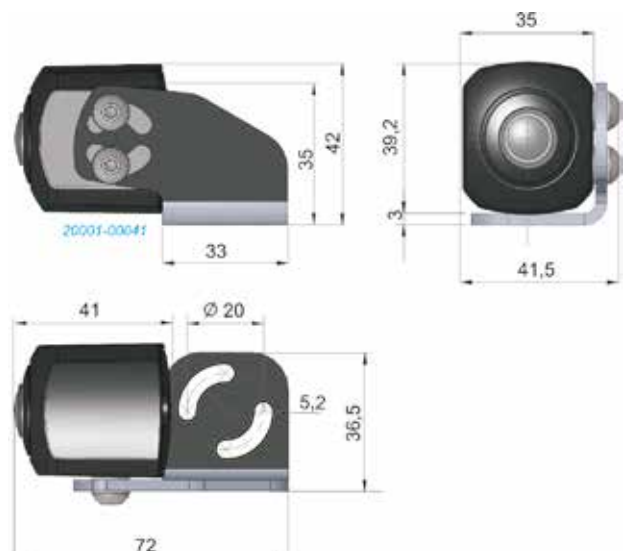
Plug connection

M12/5-pole,
Code A



Pin	Function
1	Video
2	Mirroring
3	Power
4	GND
5	Video GND
6	External shield

Dimensions in mm



Technical data

■ Image sensor

Energy efficient automotive CMOS sensor 1/3,6" (active NTSC resolution horizontal 672 x vertical 492) with numerous intelligent functions, including automatic white balance and automatic exposure and brightness control, error detection, pixel error correction, flicker suppression, a high dynamic scope (71 dB), high S.N ratio (38 dB), and high light sensitivity (< 0.5 lux)

■ Visualisation

180° horizontal view angle, equal to 225° diagonal view angle, can be mirrored via power supply

■ Housing protection class

Pressure washer-proof (IP69K) in accordance with ISO 20653 and IEC 60529

■ Power supply

9 V...16 V DC

■ Electrical interference resistance

Interference-resistant electrical layout in accordance with the following industry standards: EN 55022, EN 61000

■ Operating and storage temperature

-40 °C...+85 °C

■ Housing

Robust aluminium housing, anodised and coated for added weather resistance, corrosion and salt spray resistant in accordance with DIN 60068, resistant against direct sunlight (UV-resistant in accordance with DIN 75220), acid and base-resistant in accordance with test plan

■ Mechanical resistance

Particularly robust mechanical design, specifically suited for heavy duty applications, shock resistant up to 50 g, shake-resistant up to 5 g (11 ms) and vibration-proof in accordance with DIN EN 60068

■ Power consumption

Max. 35 mA

■ Connection cable

0.7 m with molded, water-tight plug (IP67 when plugged in)

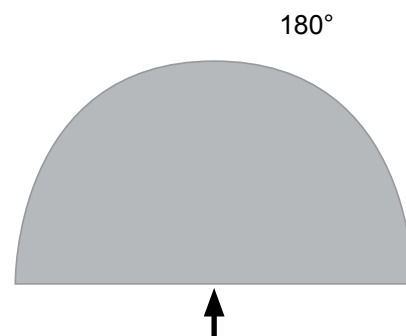
■ Weight

110 g

Package contents

MC7180N-4 wide angle camera	404 0710 017
GMC7180-3 mounting brace	813 0126 053
Operating instructions	103 0000 159

Horizontal view angle



Motec GmbH
Oberweyerer Straße 21
65589 Hadamar-Steinbach
GERMANY

Phone +49 6433 9145-0
Fax +49 6433 9145-45
info@motec-cameras.com
www.motec-cameras.com