

Camera (Colour)

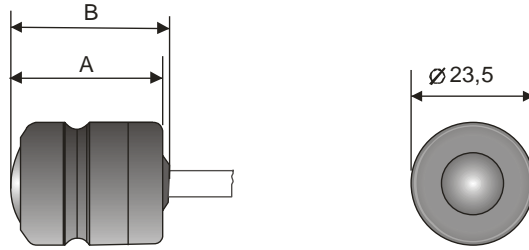
MC7000P-E series



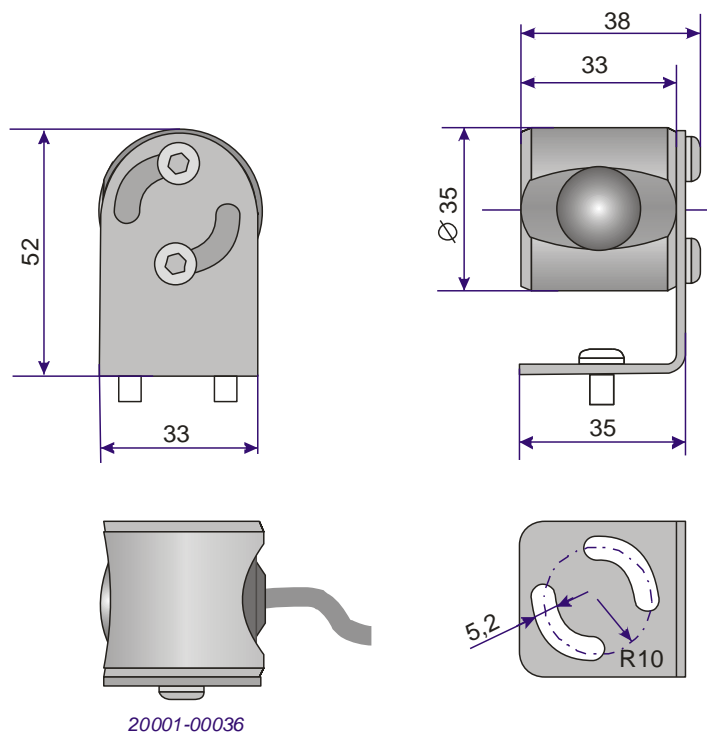
Technical Data

| | |
|--------------------------|----------------------------------|
| Housing protection class | IP69K |
| Shock resistance | 50g / 11ms DIN EN 60068-2-27 |
| Vibration resistance | ± 5g / ± 0,35mm DIN EN 60068-2-6 |
| Housing | Aluminium |
| Horizontal image angle | 70°/ 90°/ 115° |
| Min. light intensity | < 1 lx |
| Resolution | 640 (h) x 480 (v) |
| Image sensor | CMOS ¼" |
| Video signal | FBAS, 1 Vss / 75 Ohm |
| Voltage supply | 12 V DC (max. 11V ... 16V DC) |
| Current consumption | max. 60mA |
| Operating temperature | -35° C ... +65° C (<90% r.h.) |
| Storage temperature | -40° C ... +85° C (<90% r.h.) |
| Video system | PAL |
| Weight | 80 g |
| Salt fog resistant | IEC 60068-2-11 |

Dimensions camera series MC7000P (housing)



Dimensions camera MC7000P-E (stainless steel holder)



All dimensions are in mm

| Kamera | A | B |
|-------------|------|------|
| MC7xxxP-3-E | 27,8 | 29 |
| MC7xxxP-4-E | 29,1 | 30,3 |



Motec GmbH
 Oberweyerer Straße 21
 65589 Hadamar-Steinbach
 GERMANY

Phone +49 (0) 6433 9145 0
 Fax + 49 (0) 6433 9145 45
 E-Mail info@motec-cameras.com
 Web www.motec-cameras.com