

Crane control unit

KST 8 swiveling



The KST 8 is an ergonomically designed swiveling crane control chair which provides a high degree of comfort.

Equipment boxes:

The sheet steel equipment boxes are vertically and horizontally adjusted. The arrangement of the joysticks, indicators and control devices is customised according to customer specifications. Cabling is run through duct in the cross-member. (Terminal block) Special boxes available upon request.

Driver seat:

As standard the KST 8 is fitted with a KFS 11 seat. The seat itself is fitted with a hydraulic vibration absorption system complete with weight adjustment to ensure that the comfort level is fitted with armrests and a headrest. There is the option to have the seat covered with air-permeable artificial leather.

Cross member with swivel base:

The cover of the sheet steel cross-member including the driver's seat is forward foldable.

Thereby all wirings, terminals and bushings are easily accessible during commissioning and maintenance.

Swivel base has zero-clearance bearing and can be locked by a friction brake.

Surface treatment:

Base coat and textured varnish

Standard colour RAL 9011 black



Example

KST 8 - 3 - M1 - F1 - LK / KFS 11 / V64 / V64.1 / KL / X

Basic unit

KST 8 With equipment boxes

Base unit

- 1 Swiveling 180° left, 90° right with friction brake
- 2 Electric swiveling 180° left, 90° right
- 3 Not swiveling
- 4 Without base frame

Attachments

- M1 Monitor mounting with monitor housing
- M2 Monitor mounting with monitor mounting bracket
- M3 Monitor mounting without monitor housing/-mounting bracket
- F1 Footrest KBF/433
- H Heater 2x2kW with ventilator
- LK Plate for horizontal manual adjustment of control units +/- 250mm

Driver seat

- KFS 11* (included in the delivery!)
- KFS 9*
- KFS 10*
- KFS 12*

*Description see driver seat page 187

Crane control unit

KST 8 swiveling

KST 8 - 3 - M1 - F1 - LK / KFS 11 / V64 / V64.1 / KL / X

Mounting for equipment boxes

- V... Multi-axis controller (see page 1)
- S... Single-axis controller (see page 71)
- D... Double-handle controller (see page 49)
- N... Control-switch (see page 107)
- ... More command and indicating devices (see page 163)

Wiring

- KL Without wiring, but terminal block built each terminal
- KLV On terminal block 4qmm with single wire 1qmm each terminal
- KLV On SPS (SPS provision) with single wire 1qmm each terminal
- KLVA External wiring single wire highly flexible 1,5qmm 5m long each terminal

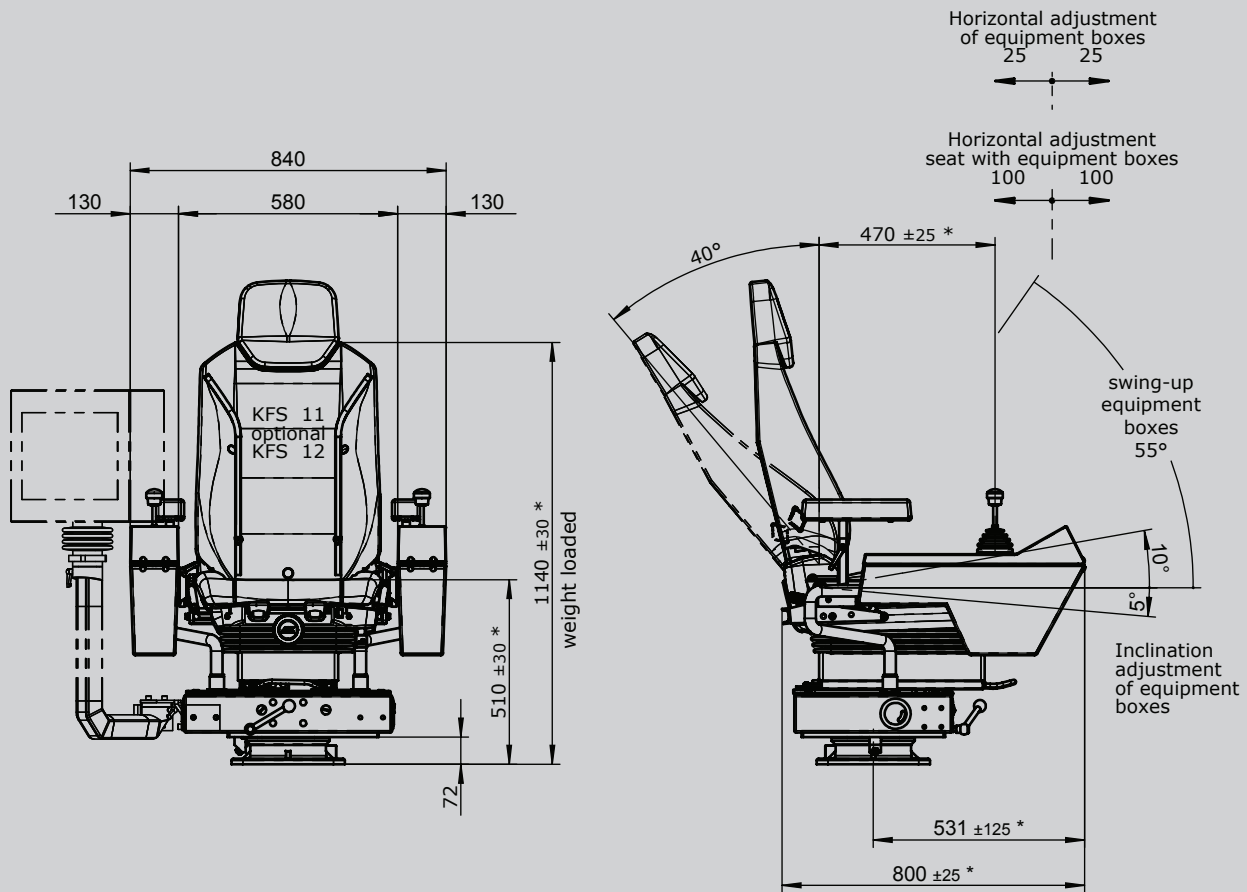
Special model

- X Special / customer-specific
- X¹ Special painted

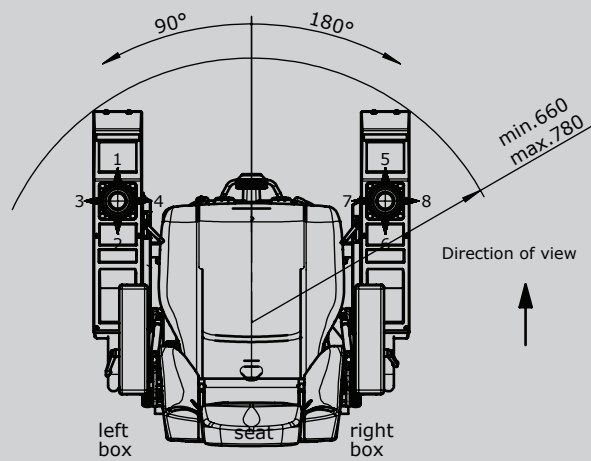
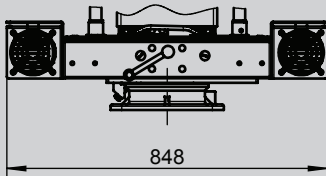
Option

- Radio remote control system

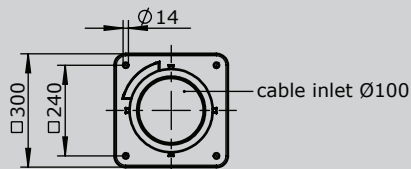
Crane control unit KST 8 swiveling



with heating



Floor mounting



* adjustable