

Naval cruise controller AZ1

The naval cruise controller AZ1 is a rugged switching device.
The modular design enables the switching device to be used universally.

The design includes:
The mechanical control-system for the engine speed 0-max. rpm. switching angle 60 degrees with pressure print at 7 degrees and friction brake direction 0-2.
The mechanical control-system for the steering left/right direction 13-14, 360 degrees with pressure points 4x90 degrees and friction brake.

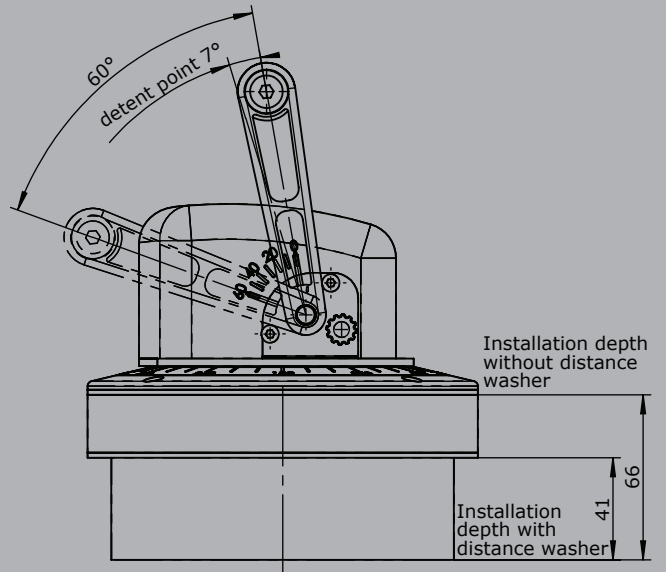
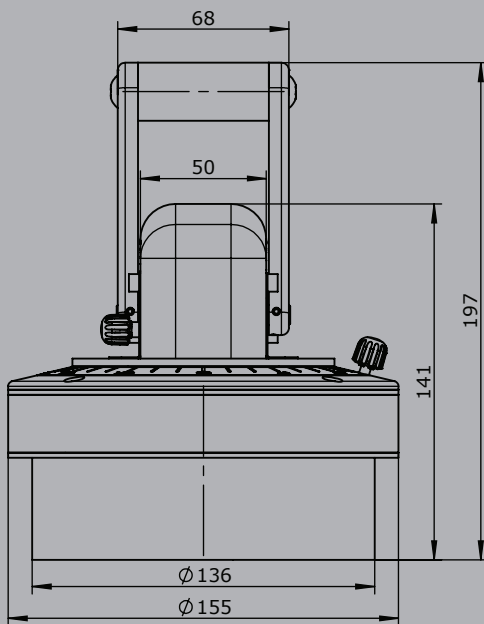
The AZ1 is resistant to oil, maritime climate, ozone and UV radiation.



Technical data

Mechanical life AZ 1	12 million operating cycles
Operation temperature	-40°C til +60°C
Degree of protection	IP66

	AZ1		- L		- N		E2112		- X	
Basic unit	AZ1 Naval cruise controller									
Options	L Scale illuminated (LED) 24V dimmable		N Follow-up control system 24 Volt DC for direction 0-2 and 13-14							
Interface	Voltage output (not stabilized)		Supply voltage 4,75-5,25V DC		Characteristic: 1= contra rotating, 2= concurrently rotating		0,5...2,5...4,5V redundant per axis		1 axis E103 1 2 axis 2	
	Voltage output		Supply voltage 9-32V DC (*11,5-32V DC)		Characteristic: 1= contra rotating, 2= concurrently rotating		0,5...2,5...4,5V redundant per axis		1 axis E111 1 2 axis 2	
	Output power		Supply voltage 9-32V DC		Characteristic: 1= contra rotating, 2= concurrently rotating		4...12...20mA redundant per axis		1 axis E211 1 2 axis 2	
	Special model		X Special / customer-specific							



Edition:
with motor rossetting control system

