

Crane control unit

KST 19 swiveling



The KST 19 is an ergonomically designed swiveling crane control chair which provides a high degree of comfort.

Equipment boxes:

The plastic equipment boxes are vertically and horizontally adjusted. The arrangement of the joysticks, indicators and control devices is customised according to customer specifications. Cabling is run through aduct in the cross-member. (Terminal block)

Driver seat:

As standard the KST 19 is fitted with a KFS 10 seat. The seat itself is fitted with a pneumatic vibration absorption system complete with weight adjustment to ensure that the comfort level is fitted with arm-rests and a headrest. There is the option to have the seat covered with air-permeable artificial leather.

Cross-member with swivel base:

The cover of the sheet steel cross-member including the driver's seat is forward foldable.

Thereby all wirings, terminals and bushings are easily accessible during commissioning and maintenance.

Swivel base has zero-clearance bearing and can be locked by a friction brake.

Surface treatment:

Base coat and textured varnish

Standard colour RAL 7000 squirrel grey



Example

KST 19 - 3 - M1 - F1 - LK / KFS 10 / V64 / V64.1 / KL / X

Basic unit

KST 19 With equipment boxes

Base unit

1 Swiveling 180° left, 90° right with friction brake

2 Not swiveling

Attachments

M1 Monitor mounting with monitor housing

M2 Monitor mounting with monitor mounting bracket

M3 Monitor mounting without monitor housing/ -mounting bracket

M4 Monitor mounting (Monitor < 5kg) with monitor housing

M5 Monitor mounting (Monitor < 5kg) with mounting adapter

F1 Footrest version 1 KBF/435

H Heater 2x2kW with ventilator

LK Plate for horizontal manual adjustment for control units +/- 250mm

Driver seat

KFS 10* (included in the delivery!)

*Description see driver seat page 195

KST19 - 3 - M1 - F1 - LK / KFS10 / V64 / V64.1 / KL / X

Mounting for equipment boxes

V...	Multi-axis controller (see page 1)
S...	Single-axis controller (see page 71)
D...	Double-handle controller (see page 49)
N...	Control-switch (see page 107)
...	More command and indicating devices (see page 163)

Wiring

KL	Without wiring, but terminal block built in each terminal
KLV	On terminal block 4qmm with single wire 1qmm each terminal
KLV	On SPS (SPS provision) with single wire 1qmm each terminal
KLVA	External wiring single wire highly flexible 1,5qmm 5m long each terminal

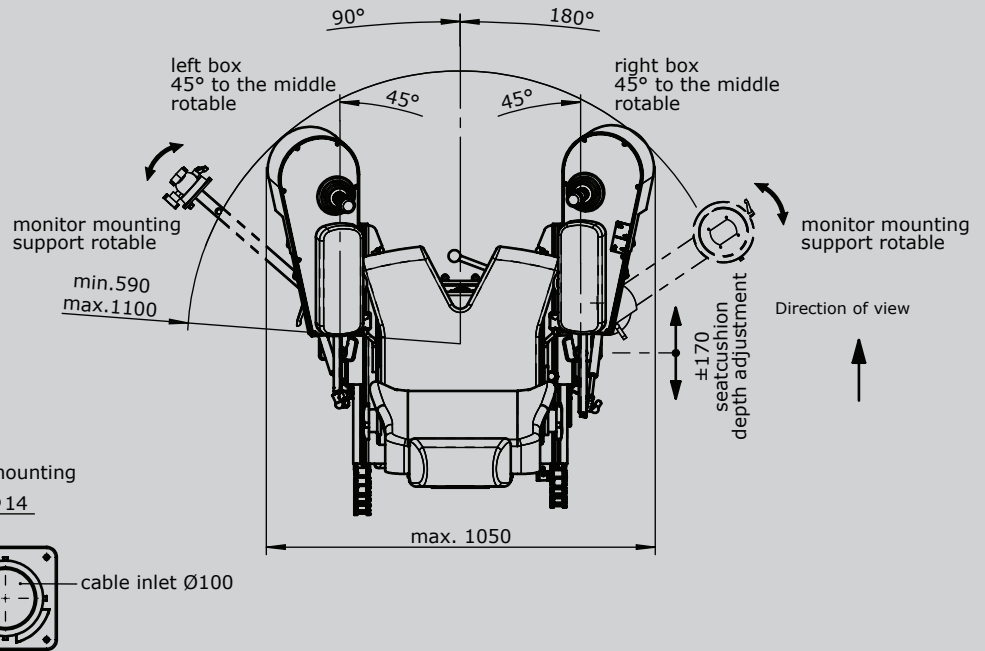
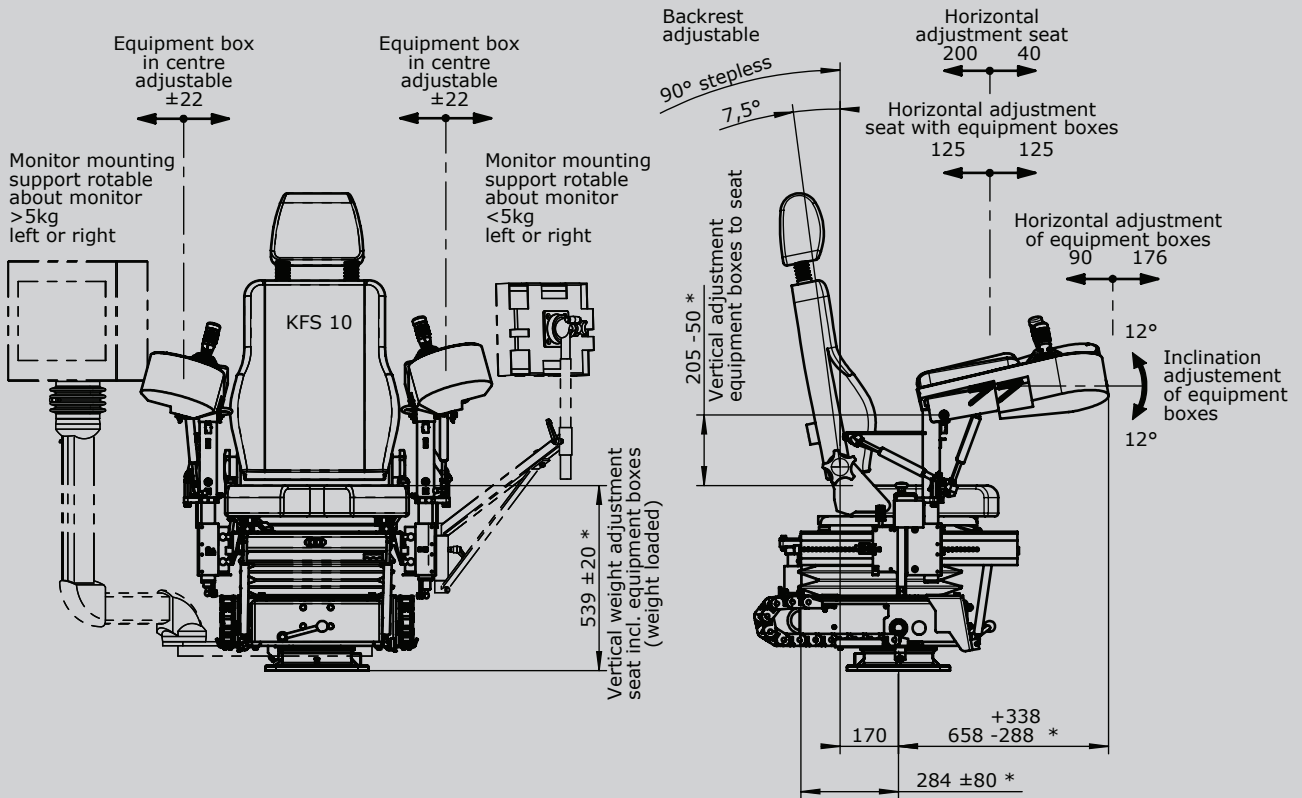
Special model

X	Special / customer-specific
X¹	Special painted

Option

Radio remote control system

Crane control unit KST 19 swiveling



* adjustable

3

Technical details may vary based on configuration or application! Technical data subject to change without notice!